

Features

- **8", 2-way system** - in a lightweight, weather-resistant, multipurpose enclosure featuring a heavy duty, powder coated aluminum grille
- **Advanced Directivity™ rotatable waveguide** - (90° x 60°) enables the loudspeaker to deliver accurately focused sound, regardless of the enclosure's mounted orientation
- **High power capability with dynamic protection** - rated at 240 watts (IEC) with power protection circuitry to prevent overloads
- **Contemporary style, weather resistant enclosure and components** - ideal for a wide range of applications
- **Two parallel Speakon® connectors** - for quick, secure audio input setup
- **Pole cup and mic stand adapters** - included for versatile mounting options



The QSC I-82H is an 8", 2-way, full-range loudspeaker with contemporary styling that integrates into multiple environments. With the ability to be pole and mic stand mounted, truss mounted, or used as a floor monitor/stage fill, these injection molded speakers are an excellent choice for musicians, mobile entertainers, and others needing a high-quality, lightweight SR package that sounds great, is visually unobtrusive, and with its built-in handles, is easy to transport.

The I-82H enclosure incorporates an 8" weatherproof, LF transducer with a heavy-duty double roll cloth surround and a 1" exit HF compression driver. The HF driver is coupled with QSC's unique Advanced Directivity™ rotatable waveguide—enabling the loudspeaker to deliver accurately focused sound, regardless of its orientation. For quick and secure input setup, the I-82H provides two parallel Speakon® connectors.

An ideal solution for a variety of mobile SR applications, the I-82H includes a pole cup bracket for pole mount applications as well as a 5/8"-27 mic stand adapter that fits most mic and boom stand hardware. With the addition of QSC's, optional I-YM8 Yoke Mount/Floor Monitor Kit (which contains a bracket with swivel extension feet), the I-82H can be horizontally pole mounted for pan and tilt focusing or used as a floor monitor. For truss mounting, the I-YM8 accepts most industry standard truss clamps.

Specifications

Configuration	Compact two way, ported enclosure
Transducers	
Low Frequency Transducer	8" high power treated paper cone, 2" voice coil, neodymium magnet
High Frequency Transducer	1" exit high output compression driver
Frequency Range ¹	
Frequency Response	80 Hz - 21 kHz (-6 dB)
Usable Frequency Range	60 Hz - 22 kHz (-10 dB)
Maximum Output ²	
Calculated Peak Output	120 dB SPL
Calculated Continuous Output	114 dB SPL
Impedance	8Ω nominal (7Ω minimum, 210 Hz, 135Ω maximum)
Power Rating	
RMS Power Handling ³	240 W (IEC, 8 hours)
Recommended Max Amp Power	400 W RMS
Power Limiting	Dynamic, full range power protection circuitry activated by signal overload conditions
Sensitivity	90.5 dB, 1 m, free field
Nominal Coverage	90°H x 60°V (-6 dB) / rotatable to 60°H x 90°V
Bass Loading	Ported, tuned to 65 Hz
Enclosure	
Material	Injection molded, weather resistant, high impact polystyrene
Finish	Black
Weather Resistance	Yes
Grille	Heavy duty powder coated aluminum
Connectors	Two Neutrik Speakon NL4FC connectors wired in parallel,
Mounting Hardware	Included: Pole cup and mic stand adapter. Optional: I-YM8 Yoke mount
Weight - Net / Shipping	17.5 lbs (7.9 kg) / 20.5 lbs (9.3 kg)

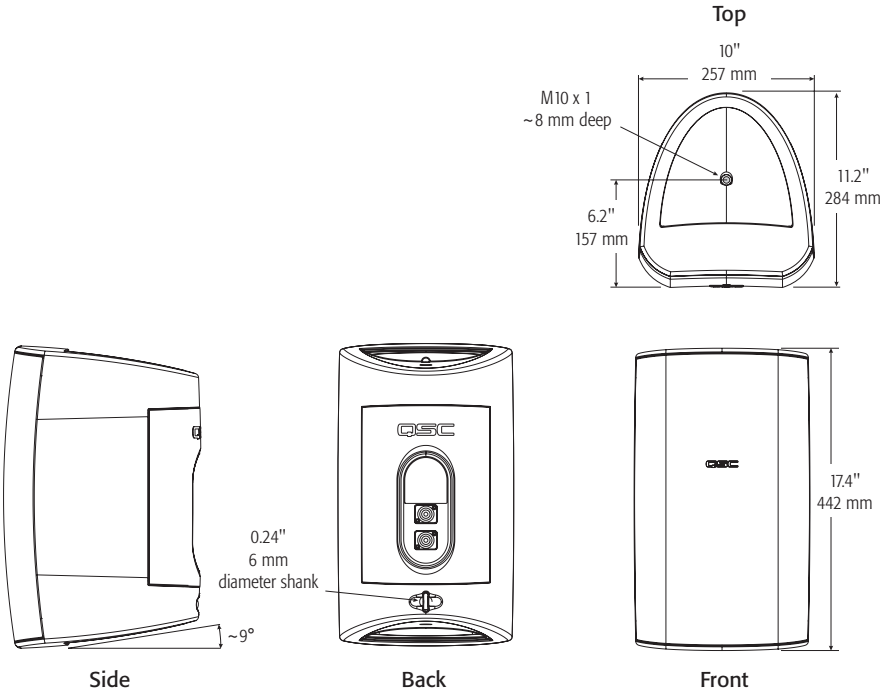
1) All frequency ranges specified refer to measured free field response (full space, 4π)

2) Calculated SPL at 1 m, full space (4π), speaker operating at rated RMS power with pink noise within specified frequency range

3) Maximum input power tested in accordance with IEC 268-5 recommendations, 50 Hz - 20 kHz band limiting, 6 dB signal crest factor, 8 hours

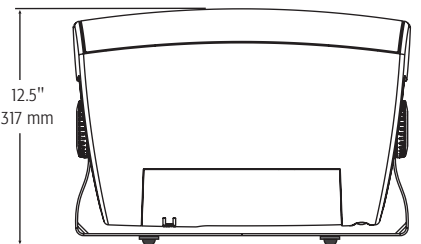
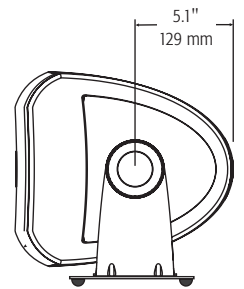
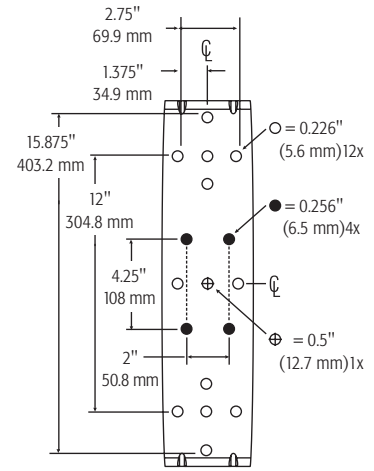
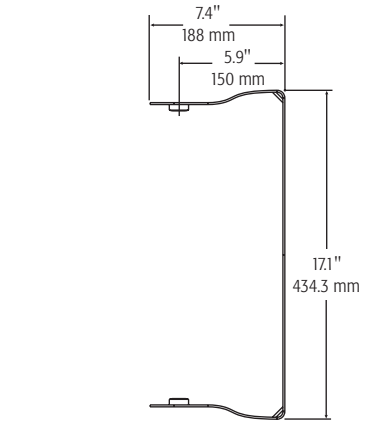
I-82H

Dimensions | Frequency Response and Impedance

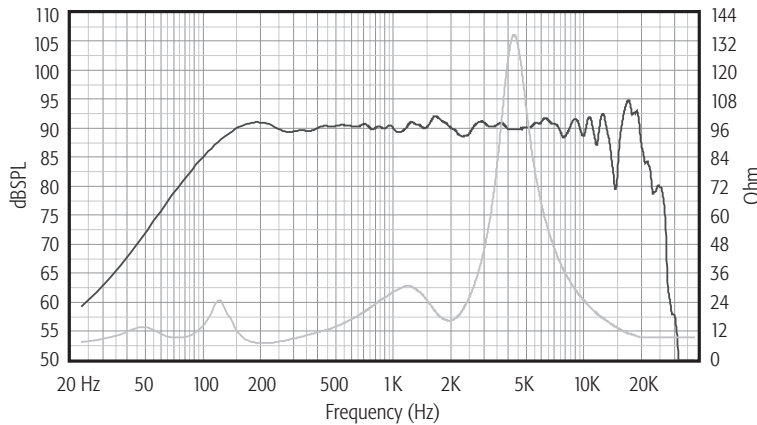


Optional I-YM8 Yoke Mount

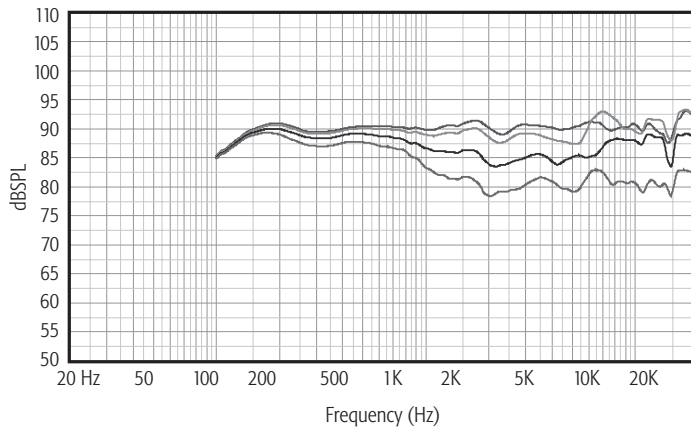
Weight - Net: 2.8 lbs (1.27 kg)
Shipping: 5.0 lbs (2.26 kg)



Frequency Response and Impedance*



Frequency Response** (0°, 20°, 40°, 60°)



*Graph shows free field SPL at 1 W, 1 m

**1/3rd octave smoothing applied to off-axis curves for clarity

Specifications subject to change without notice.

QSC and the QSC logo are registered trademarks of QSC Audio Products Inc. in the U.S. Patent and Trademark office and other countries. Advanced Directivity is a trademark of QSC Audio Products, Inc. Speakon is a trademark of Neutrik. All other trademarks are the property of their respective owners.

1675 MacArthur Boulevard • Costa Mesa, CA 92626 • Ph: 800/854-4079 or 714/957-7100 • Fax: 714/754-6174

I-82H Spec Sheet 09/18/07

QSC
qscaudio.com