

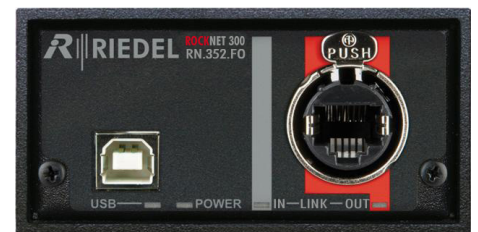
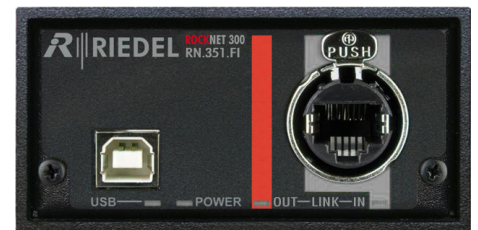
RockNet RN.351.FI / RN.352.FO

The RN.350 Series Fiber Interfaces are designed to be used for applications where extended distance between RockNet devices is required. They are equipped with universal transceivers for single or multi mode fibers to meet the respective infrastructure requirements.

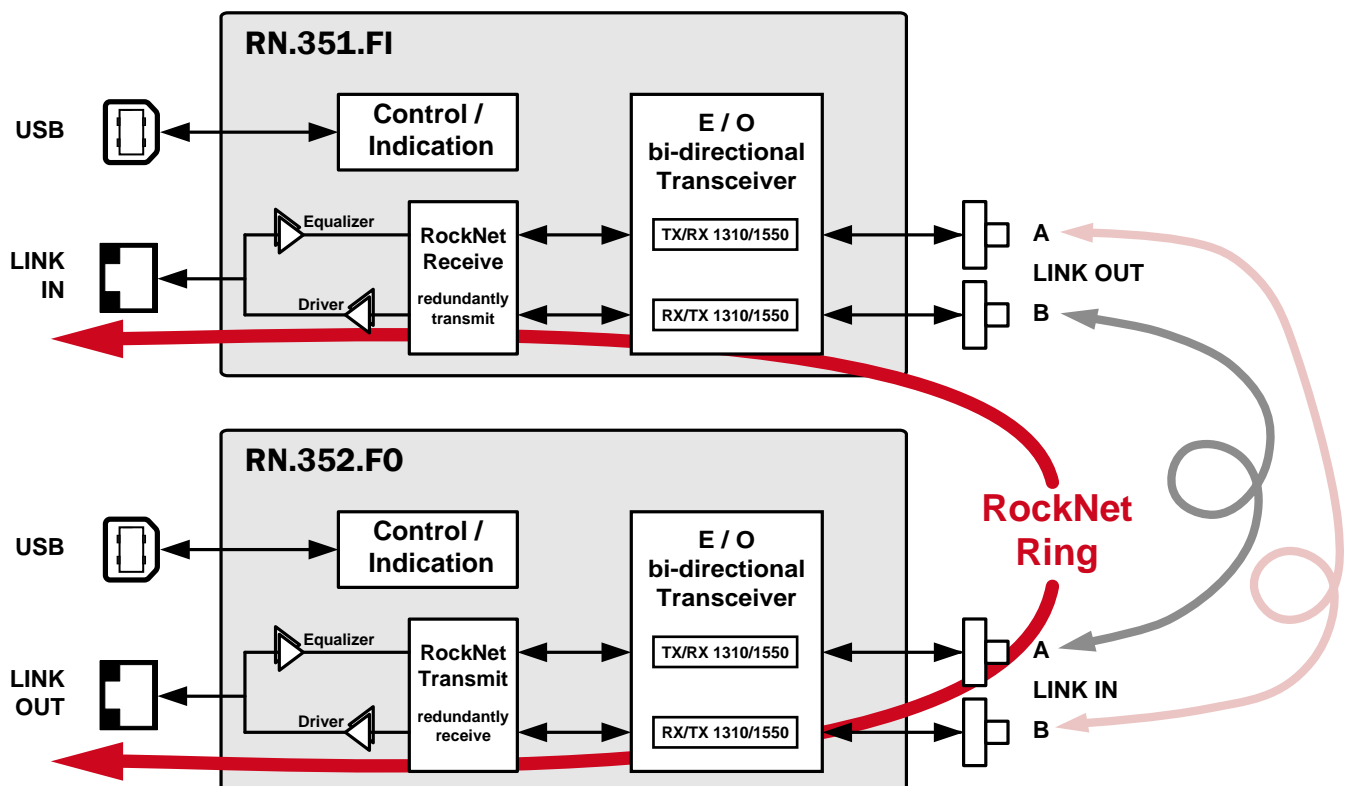
The RN.351.FI and RN.352.FO consist of the standard RockNet300 CAT5 Network Interface in- and output on the front panel.

The converters feature modular rugged enclosures.

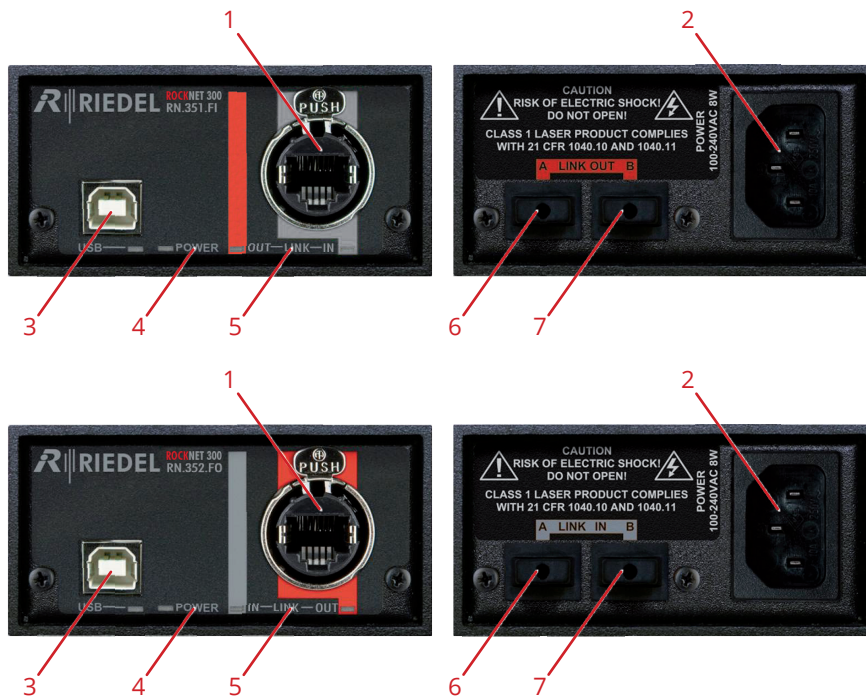
- SC fiber connector:
 - Range of up to 20km on single-mode fiber
 - Range of up to 2km on multi-mode fiber
- LED status indicators
- CAT5 redundant network interface
- USB Connector
- The modules fit into the 1RU FiberFOX® modular frame



Block Diagram



RockNet RN.351.FI / RN.352.FO



Legend

RN.351.FI

- 1) LINK Input RJ45-connector
- 2) IEC power connector
- 3) PC USB connector & status LED
- 4) Power status LED
- 5) LINK Output / LINK Input status LED
- 6) LINK Output FC fiber-connector A
- 7) LINK Output FC fiber-connector B

RN.352.FO

- 1) LINK Output RJ45-connector
- 2) IEC power connector
- 3) PC USB connector & status LED
- 4) Power status LED
- 5) LINK Input / LINK Output status LED
- 6) LINK Input FC fiber-connector A
- 7) LINK Input FC fiber-connector B

Status LEDs

	color	off	on	flashing
USB	yellow	No connection via USB present	RockWorks connection via USB established	--
POWER	green	Power Supply not connected or power failure	Power Supply ok	--
LINK IP / OP	yellow	No communication to neighbor device present	Communication and synchronization established	Communication ok but synchronization missing

Specifications

optical specifications		Bi-directional (Single-Fiber) Transceiver SC-Connector				
	Connector	TX wavelength		RX wavelength	Pout max	Opt. Budget min
RN.351.FI	Link Out	A	1310 nm	1550 nm	-8 dBm	14 dB
		B	1550 nm	1310 nm	0 dBm	21 dB
RN.352.FO	Link In	A	1310 nm	1550 nm	-8 dBm	14 dB
		B	1550 nm	1310 nm	0 dBm	21 dB

Overall

Environmental Temperature	0 °C to +50 °C (Non-condensing)
Supply Voltage	100 ... 240 VAC / 47 ... 63 Hz
Power Consumption	6 VA
Dimensions (w×h×d)	80 mm × 40 mm × 200 mm
Weight	550 g